

Preferred Pack[®]

PP-981 PALLET STRETCH WRAPPING MACHINE

The New Industry Standard in Pallet Stretch Wrapping



Model PP-981 LP (Above)

Semi-Automatic Low Profile Pallet Stretch Wrapping Machine with Mechanical Brake Stretch and a 3,000 lb. Load Capacity. *PP-981 HP, High Profile Model Does Not Include Ramp. Unit Can Accommodate Pallet Loads up to 85" High.

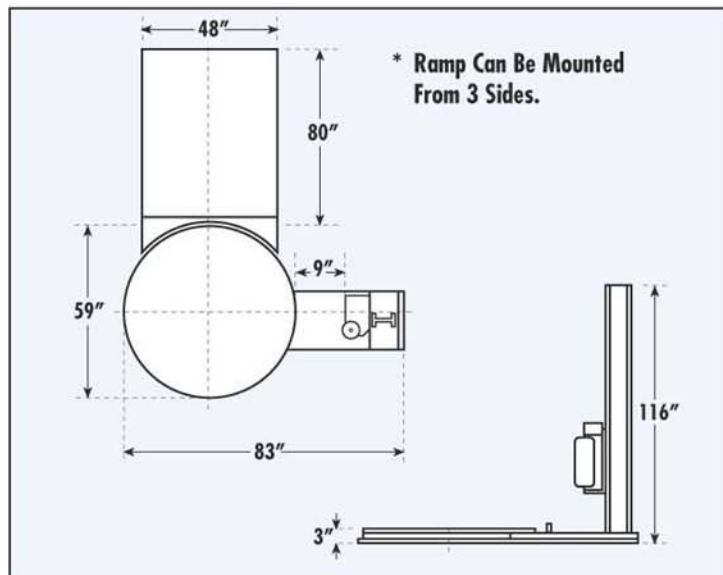
Model PP-981

Technical Specifications:

Production Rate:	20 to 25 LPH
Power Requirements:	115 Volts, 1 Phase, 15 Amp
Maximum Load Size:	50" L X 50" W X 85" H
Maximum Load:	3,000 Lbs.
Turntable:	59" Diameter
Turntable Drive:	Fixed Speed 10 Rpm
Turntable Drive Method:	Heavy Duty Chain
Turntable Support:	Heavy Duty Delrin Double Ring Roller Assembly.
Film Delivery Method:	Mechanical Brake Stretch Designed To Produce Film Yields Of Up To 125%
Machine Dimensions:	83" L X 59" W X 116" H
Carriage Elevator:	Fixed Speed - Belt Drive
Controls:	Omron
Forklift Portable:	Yes
C.E. Approval:	Exceeds OSHA Safety Standards
Warranty:	1 Year Limited Warranty
Film Capacity:	All Commercial Stretch Film 20" Wide
Shipping Weight:	1,250 Lbs.

Available Options:

1. Weight Scale
2. Photo Eye
3. Soft Start



- Top Wrap Count
- Bottom Wrap Count
- Pallet Wrap Height
- On/Off Switch
- Emergency Stop Switch
- Start Switch
- Stop Switch
- Manual/Automatic Mode
- Manual Carriage Control

Easy to use and understand front control panel.



Heavy duty chain drive on turntable with 14 sets of double roller turntable supports. No maintenance or lubrication required.



Utilizing 20" machine stretch film the mechanical brake stretch provides for increased film yields of up to 125%.