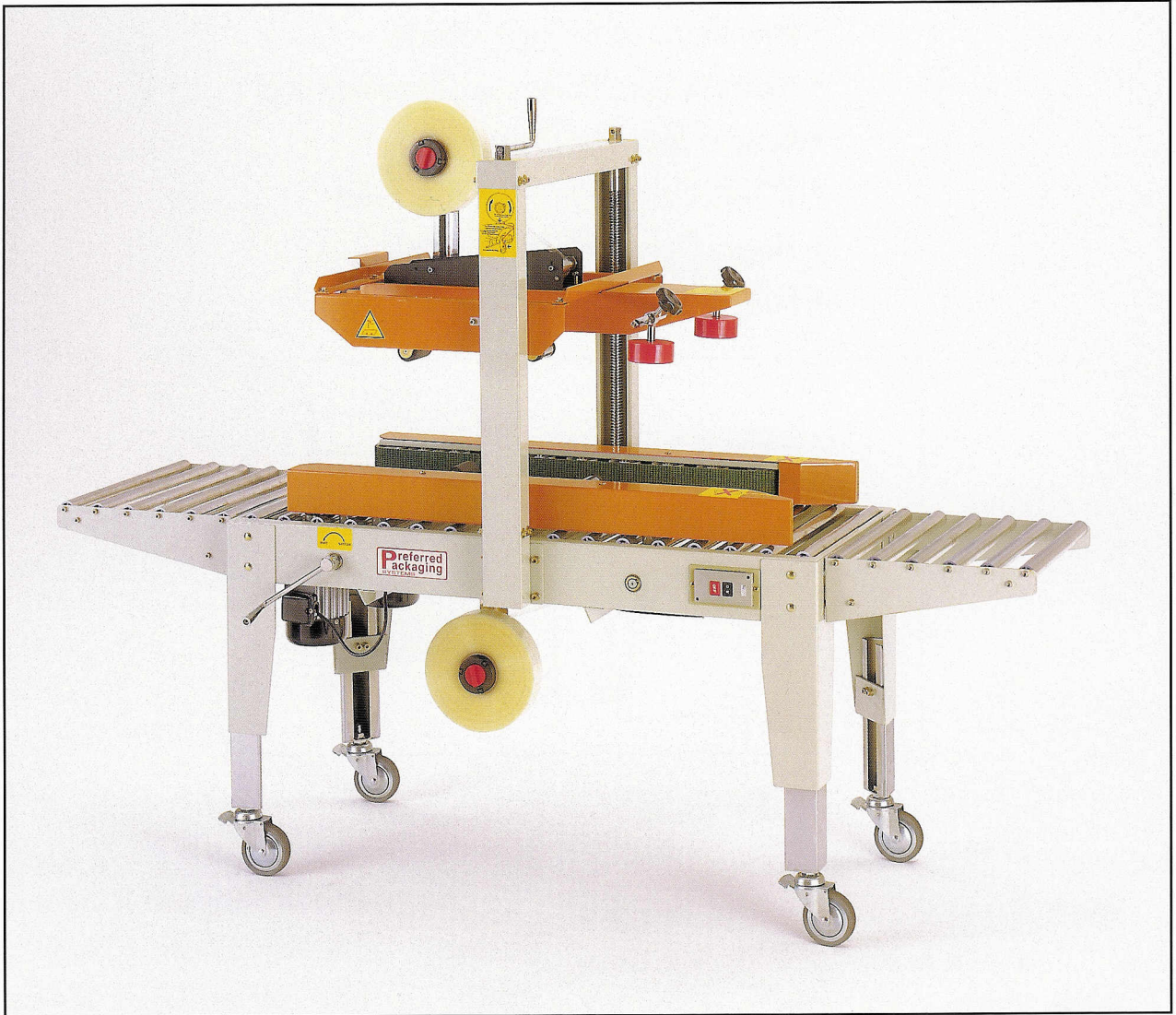


Preferred Pack[®]

CARTON SEALERS

The New Industry Standard for Quality and Reliability



***Model PP-701**

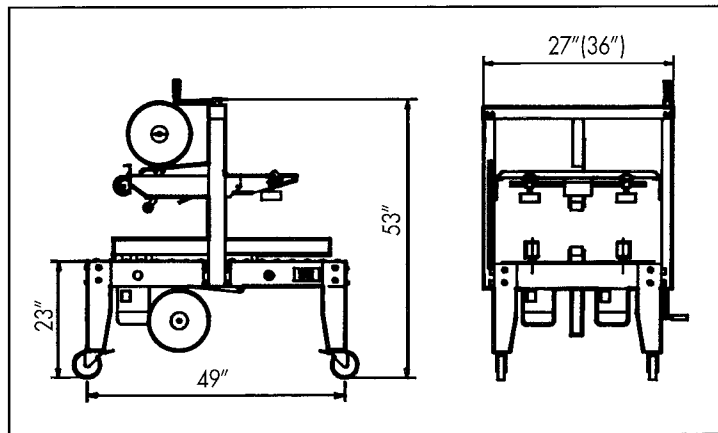
Semi-Automatic Uniform Carton Sealer with Easy Manual Carton Size Adjustment. Side Drive Belt Design. Featuring the New Universal Tape Head that will Run 2" or 3" Tape with No Changeover Required.

* Shown with Optional Infeed and Discharge Roller

The operator simply folds the top flaps of the corrugated carton and feeds it into the machine. The PP-701 applies a single tape strip to both the top and bottom of the case simultaneously. This two belt drive design is a heavy duty versatile machine designed for dependable performance and easy operation. The PP-701 can be easily adjusted in only seconds to process a different size carton. Excellent for low profile, small, lightweight boxes.

STANDARD FEATURES

- Unique Universal Tape Head
Will Run 2" or 3" Tape
- Interchangeable Tape Heads
- Side Pressure Rollers to Close Box Top
- Bottom Tape Air Blower
- 2 Side Drive Belts - Positive Feed
- Heavy Duty Locking Casters
- Fully Adjustable Bed Height



SPECIFICATIONS:

Carton Size: Length: 6" Min. to Infinite

Width: 5" Min. to 13^{1/2}" Max. (Std. Tape Head)

4" Min. to 20" Max. (2" Tape Head)

Height: 4" Min. to 20" Max.

Machine Size: 49" L X 27" W X 53" H

Machine Speed: 75 Ft/Min - production rate depends on carton size and operator dexterity

Electrical: 110 Volt, 1 Phase, 10 AMP

Weight: NW: 280 lbs., Gross: 374 lbs.

* Model PP-701WS available for wider, and taller case width up to 26" x 26"

AUTHORIZED DISTRIBUTOR