

Preferred Pack[®]

PRODUCT ACCUMULATOR

The New Industry Standard for Quality and Reliability



Model PP36LS

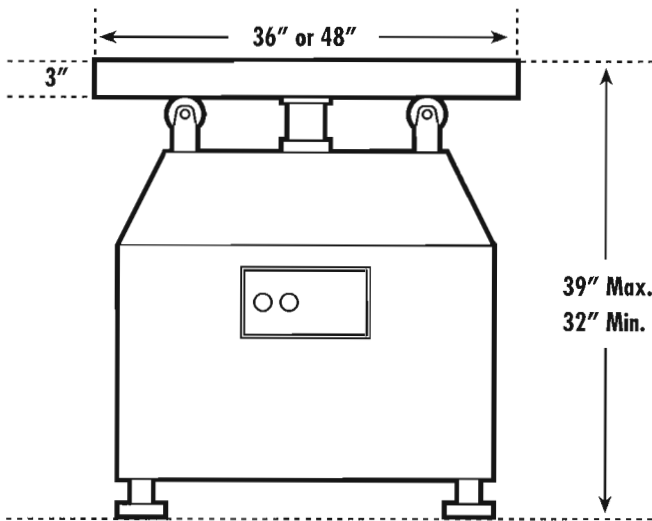
Lazy Susan Product Accumulator - Available in 36" or 48" Diameter Turntables. This convenient and easy to use accumulator features a variable speed drive turntable 0-12 RPM. The adjustable leveling bolts allow you to match any conveyor line height. This turntable is great for accumulating smaller products or packages that won't transfer on a roller or skate wheel type conveyor. Plugs into any 110 volt outlet.

PRODUCT ACCUMULATOR



Model PP36LS

Place the Lazy Susan Product Accumulator at the end of any production line or shrink tunnel to catch finished products.



STANDARD FEATURES:

- Variable Speed Turntable
- 36" or 48" Diameter Turntables Available
- Adjustable Leveling Screws
- 110 Volt Power

MODEL	TURNTABLE DIA.	MAX. WEIGHT	POWER	RPM	SHIPPING WEIGHT
PP36LS	36"	200lbs.	110V 5 Amp	0-12	250
PP48LS	48"	250lbs.	110V 5 Amp	0-10	300

AUTHORIZED DISTRIBUTOR