

# JT50

## Over-wrapping Machine

The JT50 produces up to 42 wrapped products per minute. It is designed to meet and exceed our customer's packaging needs.

It is manufactured to meet industrial specification. The JT50 Overwrapping Machine is made in a compact design to meet your space and budget constraints.

The JT50 is a user-friendly, robust and reliable low maintenance solution to overwrapping. It can be operated by a single operator with the optional collection table to reduce labor cost.

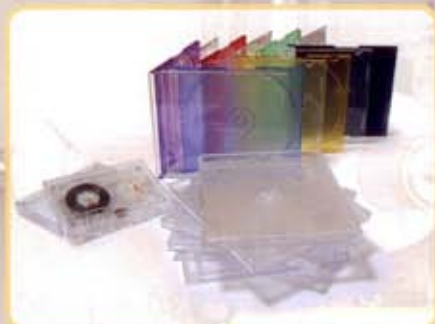
### Specifications:

Machine Dimension: 1200 x 830 x 1430 mm

Power: 110VAC Single Phase 2500W

Motor: 1Hp

Speed: About 42 pcs/min.



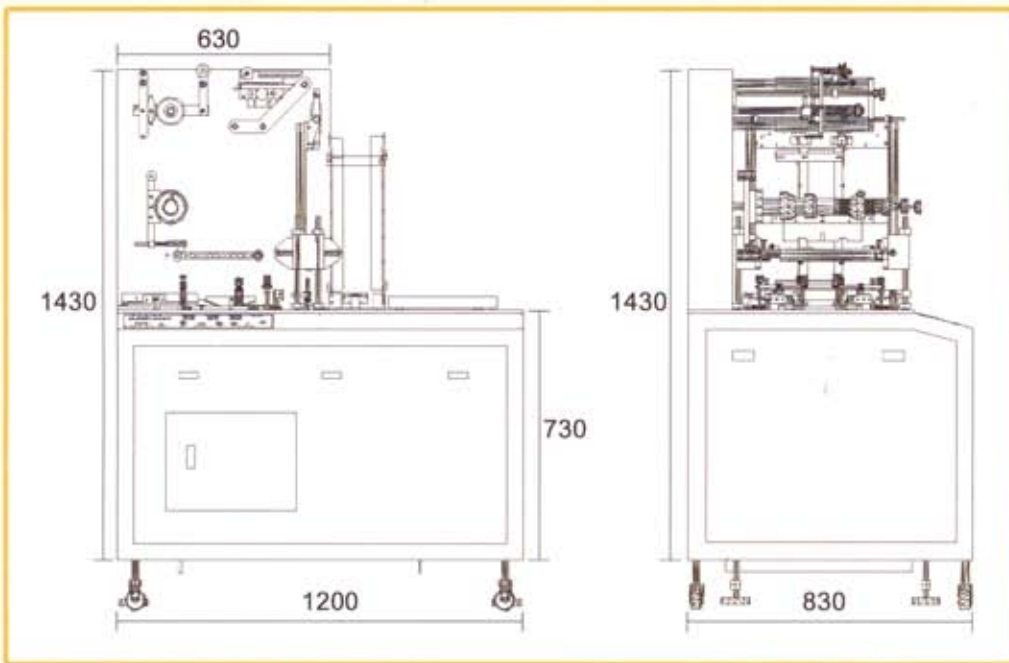
### ► Special Enhancements



Speed Control



Auto Jam Stop



# JT50

## Over-wrapping Machine

The JT50 produces up to 42 wrapped products per minute. It is designed to meet and exceed our customer's packaging needs.

It is manufactured to meet industrial specification. The JT50 Overwrapping Machine is made in a compact design to meet your space and budget constraints.

The JT50 is a user-friendly, robust and reliable low maintenance solution to overwrapping. It can be operated by a single operator with the optional collection table to reduce labor cost

### Specifications:

**Machine Dimension: 1200 x 830 x 1430 mm**

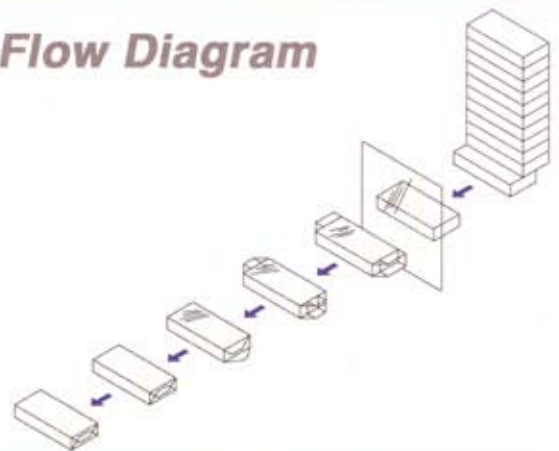
**Power: 110 VAC Single Phase 2500W**

**Motor: 1Hp**

**Speed: About 42 pcs/min.**

Due to continuous development and improvement, we reserve the right to alter dimensions and specifications without prior notice

### Flow Diagram



## **BC300** Collection Table

For collecting products from overwrapping machine



### Specification:

**Machine Dimension: 1200 x 650 x 900 mm**

**Power: 110 VAC Single Phase**

**Pneumatic System: 4 bars**

**Speed: 50 pcs/min.**

**Capacity (standard): 100 pcs for CD/DVD boxes**