

Preferred Packaging Group[®]

HIGH SPEED - FULLY AUTOMATIC CONTINUOUS MOTION ROTARY WHEEL SIDE SEAL

Servo Motor Drive - No Maintenance - Easy Setup!



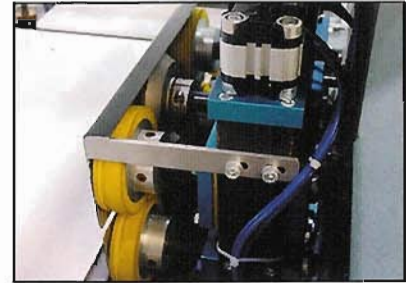
Model CM-20

Preferred Packaging Group, a world leader in the manufacturing of packaging equipment is proud to bring you the model CM-20 a high speed fully automatic continuous motion side seal featuring state of the art technology. This machine features the latest in high speed sealing technology with the new (Patent Pending) "Rotary Wheel" side seal, designed to produce strong quality seals on all shrink films, capable of running at speeds of up to 100 ppm. Available in two versions, mechanical drive for medium speed applications or servo drive for high speed applications. Reliability, simplicity and ease of maintenance should provide for years of dependable performance at a low operational cost. The CM-20 is an extremely versatile machine capable of running a wide variety of industrial or consumer products. The continuous motion operation provides for smooth shingle free product transport.



Easy to operate front control panel with digital temperature control, variable speed control and variable air velocity.

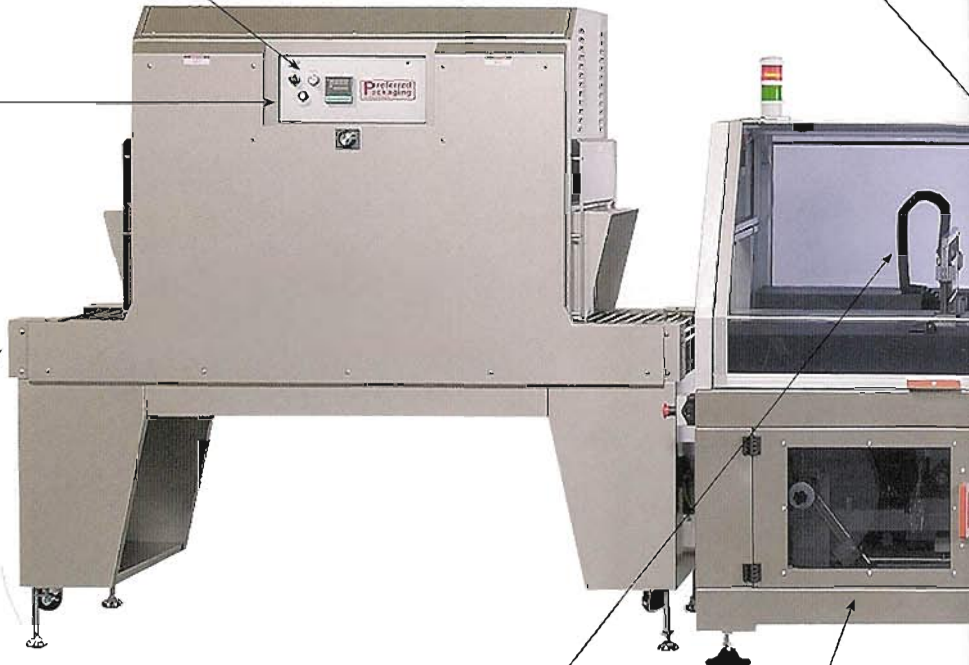
"I turn on my Preferred Pack Tunnel in the morning and I can't even finish a cup of coffee before it's up to temperature and ready to go!"



Patented Teflon Coated Rotary Wheel Side Seal will seal all types of film. Optional Sealing Head available for polyethylene & PVC films. Automatic motor driven adjustment for side seal height.



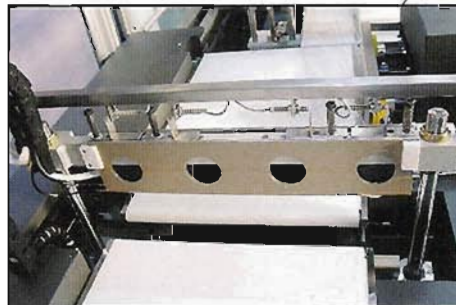
Tunnel Control Panel lowers for easy access.



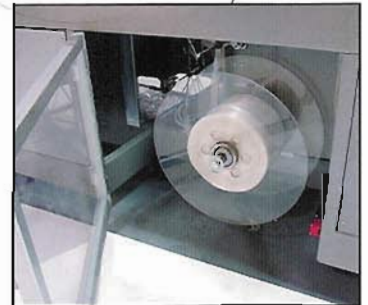
Live Roller Rod Conveyor is standard, also available are teflon mesh belt, stainless metal mesh, plastic falcon belting or dead roller for Polyethylene.

Model CM-20 Side Seal and Model PP1808-7

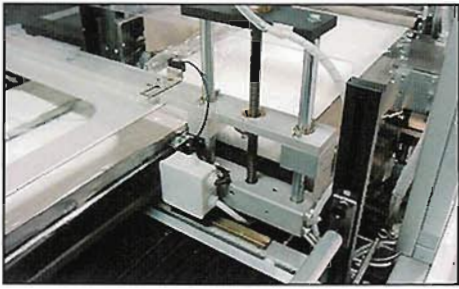
"I love this machine, we have run over 4 million packages so far without a service call!"
J. Carpenter
Ontario, CA



Teflon Coated Hot Knife Cross Seal Bar 20". Optional seal blades available for PVC or Polyethylene films. Servo Technology, automatic adjustment for Seal Bar height.



Auto Film Scrap Windup Wheel with built-in alarm when full will hold one full roll of film between changes.



Motorized Inverting Triangle - No hand cranks!

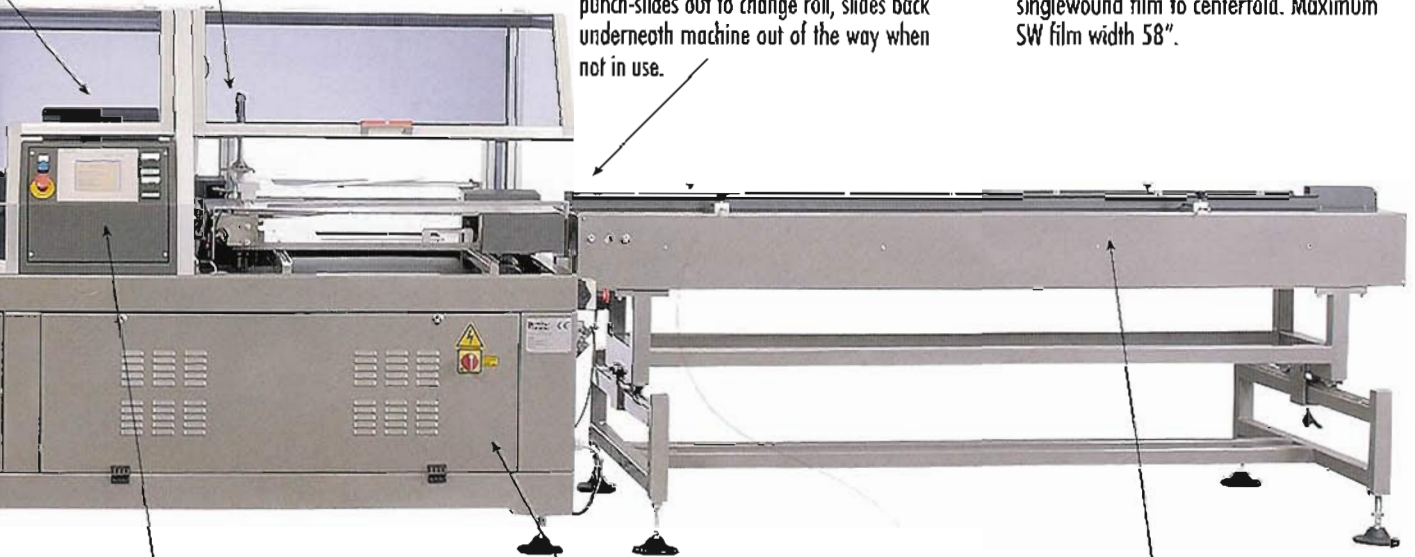
"Being a contract packager we needed a versatile machine. We looked at other side seal machines but none had as many standard features for the price. The rotary wheel side seal works with all of our films, it's so easy to set up and really fast."



Easy Load Film Cradle with pin wheel hole punch-slides out to change roll, slides back underneath machine out of the way when not in use.



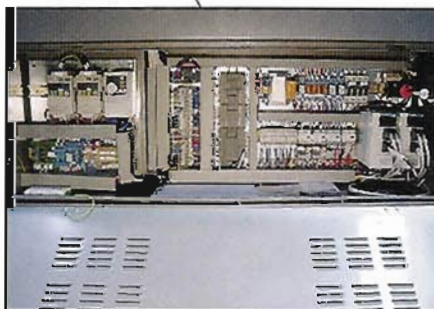
*Optional Center Folder Available, converts singlewound film to centerfold. Maximum SW film width 58".



2 Shrink Tunnel. *Shown with optional 6 ft. Flighted infeed.



Siemens PLC Controller with 30 product memory functions and built-in self diagnostics



Easy Access Electrical Control Panel with solid state relays and contactors.



6 ft. Flighted Infeed Conveyor with adjustable flight lug spacing and adjustable width guide rails.

Model CM-20 Standard Features:

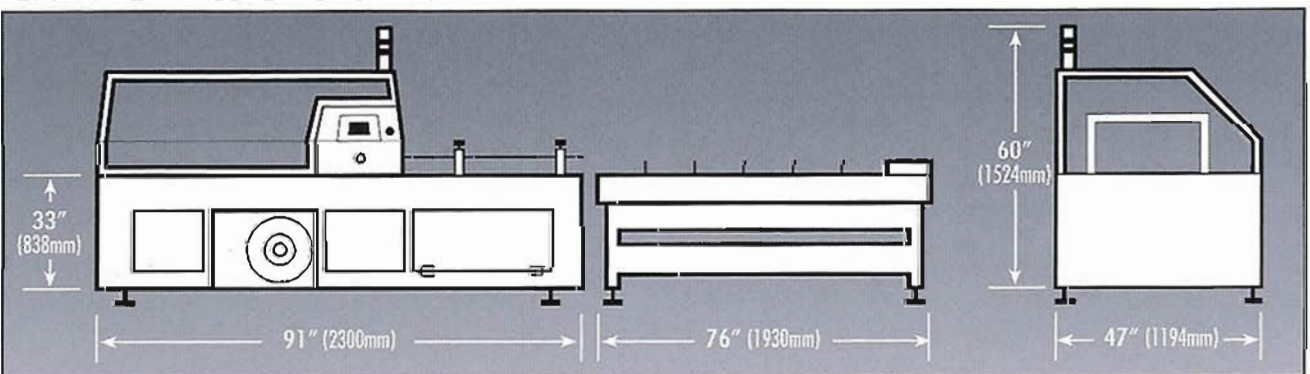
- Touch Screen Control with step by step product set up and operation interface
- Teflon Coated Rotary Wheel Side Seal - "Patent Pending" seals all films - virtually maintenance free design
- Closing Conveyor for running small packages
- Hot Knife Cross Seal Bar with digital temperature control
- Automatic Product Separation Conveyor for randomly spaced products
- Automatic Motorized Inverting Triangle
- Automatic Motorized Cross Seal and side seal height adjustment
- Siemens PLC Control and solid state electronics allows for easy integration of feeders, collators and accumulators
- Variable Speed Control 0 to 120 FPM
- Pinwheel Film Perforator Air Evacuation System - No film tearing
- Self Diagnostic Feature will alert operator of problem
- Programmable Memory to store 30 package sizes
- Powered Film Scrap Wind Up with built in alarm when full
- Easy Load Film Rack - No lifting of roll overhead
- No Product - No cycle automatic machine stop
- Horizontal And Vertical Photo Eye provide automatic adjustments of package length
- CE Approved - low voltage control panel minimizes shock risk, exceeds OSHA safety standards

Technical Specifications:

Model:	CM-20M	CM-20S	CM-30M	CM30S
Seal Size:	20" Wide	20" Wide	30" Wide	30" Wide
Film Speed:	75 FPM	120 FPM	75 FPM	100 FPM
Machine Speed*:	60-70 PPM*	100 PPM*	60-70 PPM*	90 PPM*
Drive System:	1 Servo Drive Motor	2 Servo Drive Motors	1 Servo Drive Motor	2 Servo Drive Motors
Max. Package Size*:	∞ length x 16" w x 6" h	∞ length x 16" W x 6" H	∞ length x 26" W x 6" H	length x 26" W x 6" H
Min. Package Size:	5" L x 2" Wide	5" L x 2" Wide	5" L x 2" Wide	5" L x 2" Wide
Max. Film Width:	24"	24"	35"	35"
Electrical:	220 volt 1 phase 20 amp	220 volt 1 phase 20 amp	220 volt 1 phase 20 amp	220 volt 1 phase 20 amp
Air:	1 CFM @ 80 PSI	1 CFM @ 80 PSI	1 CFM @ 80 PSI	1 CFM @ 80 PSI
Conveyor Height:	Adjust. from 33" to 37.5"	Adjust. from 33" to 37.5"	Adjust. from 33" to 37.5"	Adjust. from 33" to 37.5"
Machine Dimensions:	96" L x 47" W x 60" H	96" L x 47" W x 60" H	96" L x 57" W x 60" H	96" L x 57" W x 60" H
Infeed Dimensions:	76" L x 42" W x 33" H	76" L x 42" W x 33" H	76" L x 42" W x 33" H	76" L x 42" W x 33" H
Machine Weight:	2,500 lbs.	2,500 lbs.	3,000 lbs.	3,000 lbs.
Optional Items:	<ul style="list-style-type: none"> • Print Registration • Center Folder for Using Single Wound Film • Rotary Hole Punch • 9.5" High Package Clearance • Product Feeders or Hoppers Available • 6 foot Flighted/Lugged Infeed 			

*Depending on package size and film gauge - Maximum Package size may not be obtainable simultaneously.

CM-20 Dimensions:



Preferred Packaging Group • 440 S. Lone Hill Avenue • San Dimas, CA 91773 • (800) 378-4777 • Fax (909) 592-5640
Visit Us At: www.preferredpack.com